



Steca PR

PR 0303, PR 0505

The Steca PR 0303 and PR 0505 solar charge controllers are optimally suited for use in small solar home systems with module currents up to 5 A.

A 75 Wp module can be connected, which easily allows operation of lamps, radios and a small television. All loads can be switched off using the manual load switch on the controller. The extremely low own consumption makes the Steca PR especially suitable for professional applications in telecommunications and traffic management technology. Since this is a serial controller, it is extremely flexible in the type of power source that can be connected. The electronic fuse makes the controller completely maintenance-free and robust.

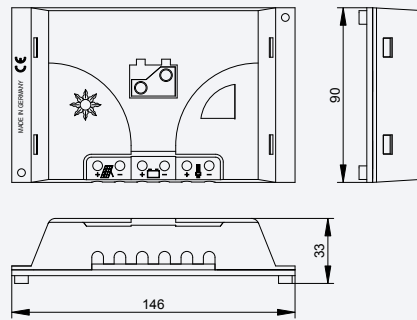
Features

- Voltage regulation
- Automatic electronic fuse
- Manual load switch
- PWM series battery charging
- Boost- and Float charging
- Current compensated deep discharge protection (SOC / LVD)
- Automatic load reconnection
- Temperature compensation
- Positive grounding (or) Negative grounding on one terminal

Protection functionality

- Battery-overload protection
- Battery deep-discharge protection
- Reverse-polarity protection at module input
- Reverse-polarity protection at the battery connection
- Reverse-polarity protection for the load
- Electronic battery fuse
- Short-circuit protection of the load
- Overvoltage protection at module input
- Idling protection in case no battery is connected
- Prevention of back current into the module

Technical data

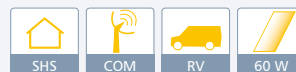


Solar Charge Controller	PR 0303	PR 0505
System voltage	12 V	
Max. module input short circuit current	3 A	5 A
Max. load output current	3 A	5 A
Max. self consumption	3 mA	
End of charge voltage (float)	13.7 V	
Boost charge voltage	14.4 V	
Equalisation charge	-	
Reconnection setpoint (LVR)	12.5 V	
Deep discharge protection (LVD)	11.0 V...11.5 V	
Ambient temperature allowed	-25 °C...+50 °C	
Terminal size (fine/single wire)	6 mm ² / 10 mm ²	
Enclosure protection class	IP 22	
Weight	160 g	
Dimensions l x w x h	146 x 90 x 33 mm	

Technical data at 25 °C / 77 °F

Power class

3 A - 5 A



Displays

3 LEDs

- LED 1: yellow – battery charging LED - by solar module
- LED 2: green – battery full
- LED 3: red – battery empty

Certificates

- Approved for Worldbank funded projects in Laos
- Made in Germany
- Conform to European Standards (CE)
- Manufactured in a DIN EN ISO 9001:2000 and DIN EN ISO 14001 facility