



Steca AJ

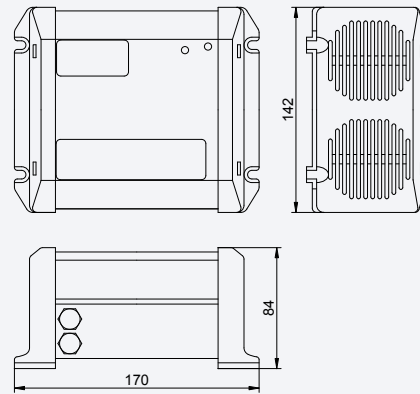
275-12, 350-24, 400-48,
500-12, 600-24, 700-48,
1000-12, 1300-24,
2100-12, 2400-24

A particular feature of the AJ inverter series is its wide range of available power classes and DC input voltages, enabling the optimal inverter to be used for any application. The cables for the battery and load connection are already pre-mounted on the AJ, thus making it easier to connect the device. The automatic standby mode considerably reduces the inverter's own consumption. The AJ inverter's excellent overload capacity ensures that even critical loads can be operated easily.

Features

- Power range 275 - 2,400 W
- Suitable for all AC loads
- Excellent overload capabilities
- Adjustable, automatic load detection
- Best reliability

Technical data



AJ 275-12

Power class
275 - 2,400 W



Protection functionality

- Battery deep discharge protection
- Battery over voltage shut down
- Over temperature and over load protection
- Short circuit protection
- Reverse polarity protection by internal fuse (except than AJ2100-12)
- Acoustic warning before battery low or overheating disconnection

Displays

- Operational status inverter by LED

Options

- Types with 115 V / 50 Hz, 115 V / 60 Hz or 230 V / 60 Hz
- Terminal for connecting of a remote control (On / Off) for the types AJ275-12 to AJ700-48
- Remote Control JT8 (On / Off, LED) for AJ1000-12 to AJ2400-24

Inverter AJ	275-12	350-24	400-48	500-12	600-24	700-48	1000-12	1300-24	2100-12	2400-24
Nominal input voltage (V)	12	24	48	12	24	48	12	24	12	24
Input voltage range (V)	10.5 - 16	21 - 32	42 - 64	10.5 - 16	21 - 32	42 - 64	10.5 - 16	21 - 32	10.5 - 16	21 - 32
Output voltage	230 V~ +0 / -10 % (true sine wave)									
Output frequency	50 Hz +/-0.05 %									
Continuous power (VA)	200	300	300	400	500	500	800	1000	2000	2000
Max. power 30 min. (VA)	275	350	400	500	600	700	1000	1300	2100	2400
Max. power 5 sec. (VA)	450	650	1000	1000	1200	1400	2200	2800	5000	5200
Max. efficiency (%)	93	94	94	93	94	94	93	94	92	94
Consumption standby (W)	0.3	0.3	0.4	0.3	0.4	1.0	0.3	0.4	0.5	0.4
Load detection (standby)	2 W			adjustable: 1 - 20 W						
Cable length Battery / AC	1.2 m / 1 m			1.5 m / 1 m				1.7 m / 1 m		
Operating temperature	-20 °C bis +50 °C									
Protection class	IP 30								IP 20	
Weight (kg)	2.4	2.6		4.5			8.5		19	18
Dimensions l x w x h (mm)	170 x 142 x 84			247 x 142 x 84			455 x 142 x 84		406 x 273 x 117	

Technical data at 25 °C / 77 °F